

General purpose modules

A comprehensive range of chassis mount IEC 60320 inlet power entry modules housed in a compact and lightweight enclosure. Offers a low cost form of protection from mains borne interference in applications such as business, consumer, medical equipment, VDU's, computers, vending machines and many other general purpose applications.

- Current ratings from 1A to 10A
- Component value combinations to suit requirements
- Low cost design
- Medical versions available

Mechanical Specifications

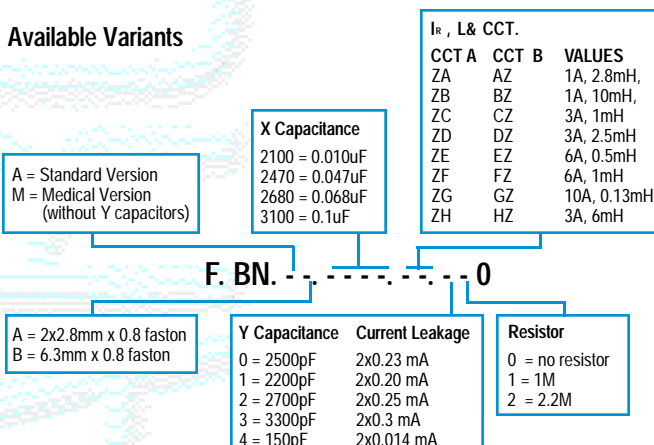
Manufacture: metal case with built-in power line connector according to IEC 60320 & EN 60320.

Connections: IEC 60320 - Standard plug (INPUT); faston 2x2.8 x 0.8 mm or 6.3 x 0.8 mm (OUTPUT); ground terminal connected to case.

Filter Range

Code	I _r (A)	L (mH)	C _x (µF)	C _y (pF)	I _L (mA)	Circ Diag
F.BN.AB.2100.ZE.200	6	2x0.5	0.01	2x2700	2x0.25	A
F.BN.AB.2470.ZA.100	1	2x2.8	0.047	2x2200	2x0.2	A
F.BN.AB.2470.ZB.000	1	2x10	0.047	2x2500	2x0.23	A
F.BN.AB.2470.ZD.000	3	2x2.5	0.047	2x2500	2x0.23	A
F.BN.AB.2470.ZF.000	6	2x1	0.047	2x2500	2x0.23	A
F.BN.AB.2470.ZG.110	10	2x0.13	0.047	2x2200	2x0.2	A
F.BN.AB.2680.CZ.300	3	2x1	0.068	2x3300	2x0.3	B
F.BN.AB.2680.ZB.000	1	2x10	0.068	2x2500	2x0.23	A
F.BN.AB.2680.ZD.000	3	2x2.5	0.068	2x2500	2x0.23	A
F.BN.AB.2680.ZF.000	6	2x1	0.068	2x2500	2x0.23	A
F.BN.AB.3100.BZ.000	1	2x10	0.1	2x2500	2x0.23	B
F.BN.AB.3100.DZ.000	3	2x2.5	0.1	2x2500	2x0.23	B
F.BN.AB.3100.FZ.000	6	2x1	0.1	2x2500	2x0.23	B
F.BN.AB.3100.HZ.420	3	2x6	0.1	2x150	2x0.014	B

Available Variants



Electrical Specifications

Rated voltage (V_R): max 250 V, 50/60 Hz

Rated current (I_R): referred to room temperature = 40°C

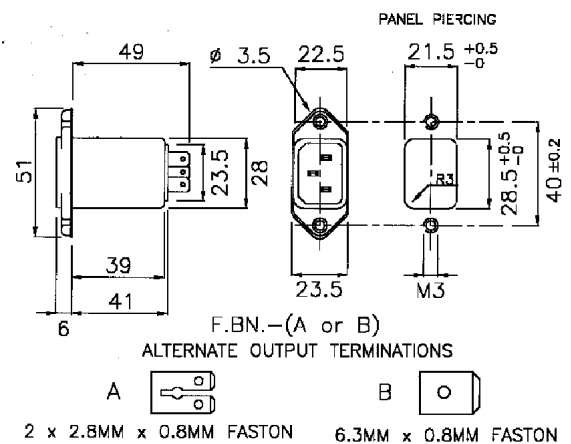
Leakage current (I_L): at 220 V, 50 Hz, max value

Voltage test (2_s): line to ground 3000 Vdc or 1800 Vac
line to line 1700 Vdc

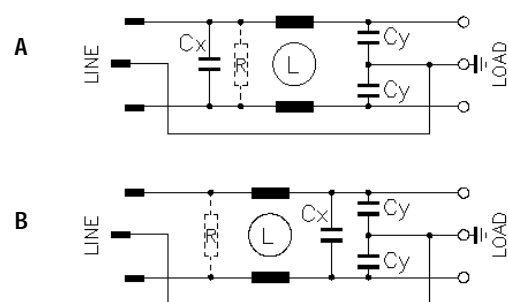
Climatic category: HPF (25/085/21):

Temperature range: -25°C to +85°C

Dimensions (mm) and connections



Circuit diagram



Approvals



IEC Inlet Filters

F.BN series

Insertion loss (typical): --- Asymmetrical (line to ground) - - - Symmetrical (line to line)

